

Installation Instructions for Altec Autocross License Plate Lens-Frame



1. Remove Snap-Caps from Autocross License plate Lens-Frame by popping them out from the rear. (Caps are also removed easily from the front using a pointed object.)
2. Lay Lens-Frame face down on a non-abrasive surface, set rubber gasket into place and insert spacers into holes in Lens-Frame.
3. Position license plate face down into the gasket recess, being certain the gasket lip fits over the edge of the license plate for a proper seal.
4. When mounting your Autocross Lens-Frame to a vehicle with two mounting locations, use the supplied flat nuts and $\frac{1}{4}$ " - 20 X $\frac{1}{2}$ " machine screws and attach your license plate to the lens-Frame. (Caution: Do not over tighten) Position the short $\frac{1}{4}$ " - 20 X $\frac{1}{2}$ " machine screws in the Lens-Frame where the license plate is NOT to be attached to the vehicle and use the flat nut on the back of license plate.
5. Position the assembly on the vehicle and secure by installing appropriate fasteners. (Caution: Do not over tighten)
6. Finish the installation by firmly pressing the Snap-Caps back into place.

CLEANING AND CARE

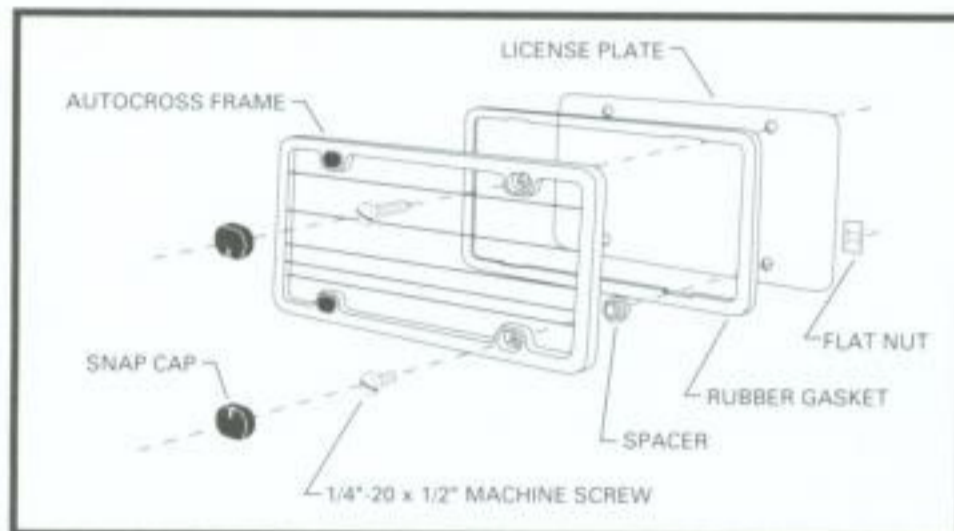
Use only mild soap or detergent and water to clean lens-Frame assembly.

CAUTION: DO NOT USE CHEMICAL CLEANERS OR SOLVENTS



ALTEC PRODUCTS, INC.

14050 Lincoln St. NE
Suite 200
Ham Lake, MN 55304
(763) 785-9035
FAX (763) 785-9084
www.altecproducts.com



DESIGNERS AND MANUFACTURERS OF QUALITY AUTOMOTIVE ACCESSORIES.